

SPECIFICATIONS

- high precision and long life (10,000,000 mechanical operations)
- Sealed with gasket diaphragm to provide high sealing property without use of any adhesive or pin

SPECIFICATIONS

RATINGS

Rated Voltage (V)	Non-inductive load(A)				Inductive load(A)			
	Resistive load		Lamp load		Inductive load		Motor load	
	NC	NO	NC	NO	NC	NO	NC	NO
125VAC	10		3	1.5	10		5	2.5
250VAC	10		2.5	1.25	10		3	1.5
480VAC	3		1.5	0.75	2.5		1.5	0.75
8 VDC	10		3	1.5	6		6	5
14 VDC	10		3	1.5	6		6	5
30 VDC	8		3	1.5	6		5	2.5
125 VDC	0.5		0.4		0.05		0.05	
250 VDC	0.25		0.2		0.03		0.03	

Notes: 1. inductive load: power factor=0.4; time constant =7msec.

2. lamp load has an inrush current of 10 time the steady-state current while motor load has an inrush current of 6 times the steady-state current.

CONTACT CONFIGURATION

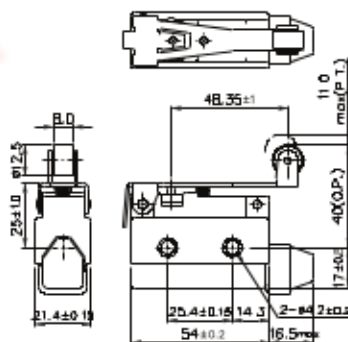


OPERATION CHARACTERISTICS

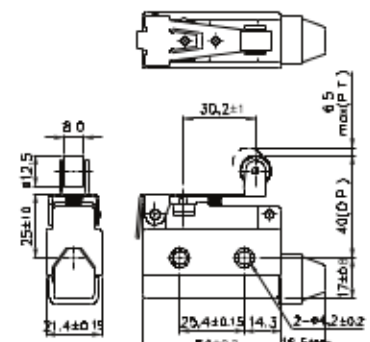
Type	TZ-7100	TZ-7110	TZ-7310	TZ-7311	TZ-7312	TZ-7120	TZ-7140	TZ-7121	TZ-7141	TZ-7124	TZ-7144	TZ-7166
OF Max.	600g	600g	600g	600g	600g	150g	220g	180g	240g	200g	280g	120g
RF Min.	100g	100g	100g	100g	100g	40g	60g	50g	80g	60g	100g	
PT Max.	2.0mm	2.0mm	2.0mm	2.0mm	2.0mm	13.5mm	8.5mm	11.0mm	6.5mm	11mm	6.5mm	25mm
OT Min.	0.8mm	5.0mm	6.0mm	6.0mm	6.0mm	4.0mm	2.5mm	3.0mm	2.0mm	3.0mm	2.0mm	11mm
MD Max.	0.8mm	0.8mm	0.8mm	0.8mm	0.8mm	3.2mm	2.0mm	2.4mm	1.5mm	2.4mm	1.5mm	
OP	30.8±0.8mm	44±1.2mm	21.8±1.2mm	33.3±1.2mm	25±1mm	25±1mm	40±1mm	40±1mm	50±1.2mm	50±1.2mm	56mm	
FP						35mm	35mm		46mm		56mm	

DIMENSIONS

TZ-7121



TZ-7141



A009142

CHARACTERISTICS

Operating speed	0.01mm to 50cm/sec at pin plunger
Operating frequency	120 operations/min
Contact resistance	15m max. initial
Insulation resistance	100M max. at 500 VDC
Dielectric strength	1,000VAC,50/60Hz for 1minute between non-continuous terminals 1,500VAC,50/60Hz for 1minute between current-carrying and non-current-carrying parts and between each terminal and ground
Vibration	Mechanical durability: 10 to 55HZ,1.5mm double amplitude
Shock	Mechanical durability: 1,000m/S ² (approx.100G's) malfunction: 300m/S ² (approx.30G's)
Ambient temperature	Operating:-10 to +80°C
Humidity	95% HR max. at +20 to +35°C
Service life	Mechanically: 10,000,000 operations min. (At rated ot value) Electrically 500,000 operations min
weight	Approx.60g
Degree of protection	IEC IP65